

## Fish Pot Specifications

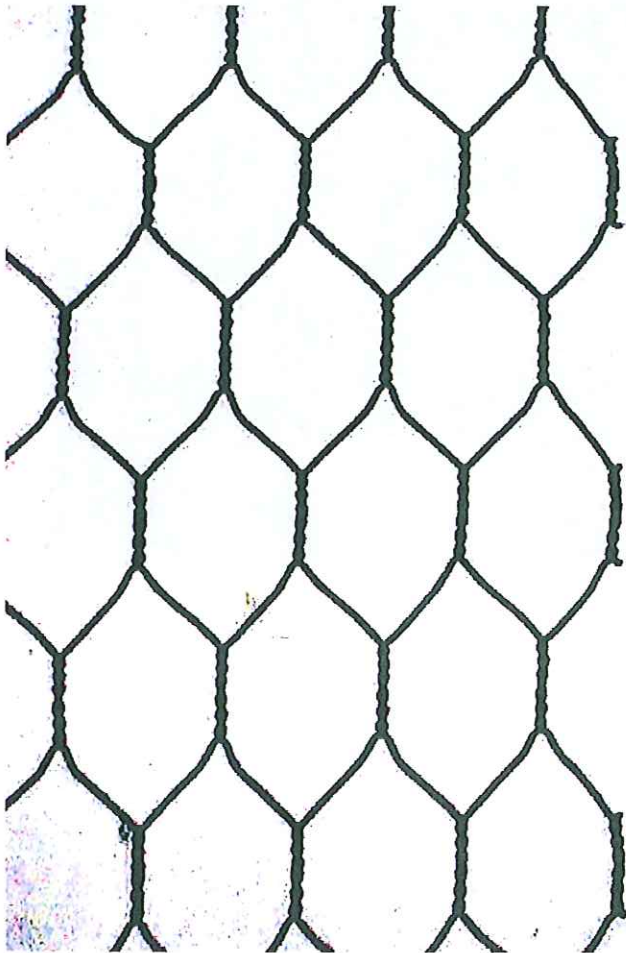
1. **One** entry funnel only.
2. Dimensions shall not exceed **2ft. x 4ft. x 4ft.**
3. A minimum mesh size of **2 ¼ inches vertically** oriented and **1 ½ inches horizontally** oriented on all sides of the trap.
4. Side door dimensions no less than **8 ½ in. x 11in.** , and shall be **hinged loosely** on the **bottom** edge, and secured by **decomposable cordage** eg. ¼” Hemp, Sisal, or Manila rope (found at most hardware stores), or small to medium gauge Aluminum wire (available from DOE).
5. A **tag** issued by the Board must be afixed to the trap.



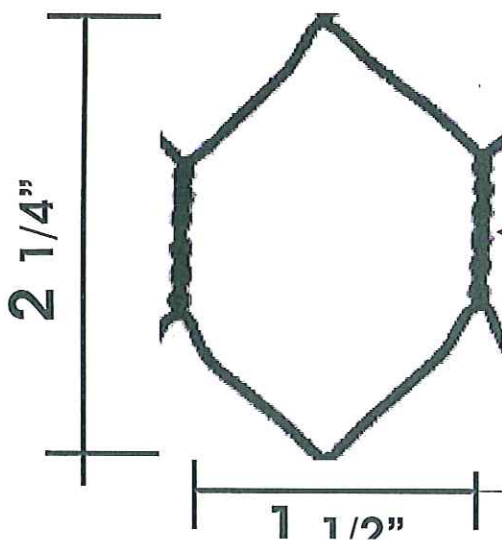
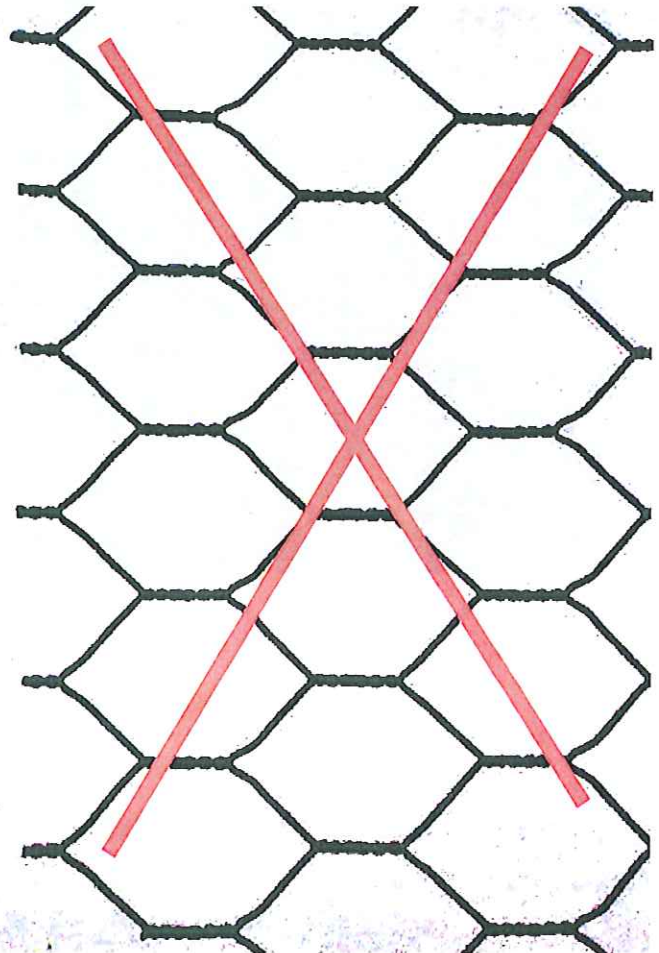
# FISH POT MESH ORIENTATION

Example below is Galvanized hexagonal 2 1/4" x 1 1/2" fish pot mesh wire.

**RIGHT**



**WRONG**



**ACTUAL SIZE**

Note: Other types of mesh may be used providing vertical and horizontal dimensions are met. It is illegal to take fish less than 8 inches in length except for Sprat, Gooale-eyes, and Fry.